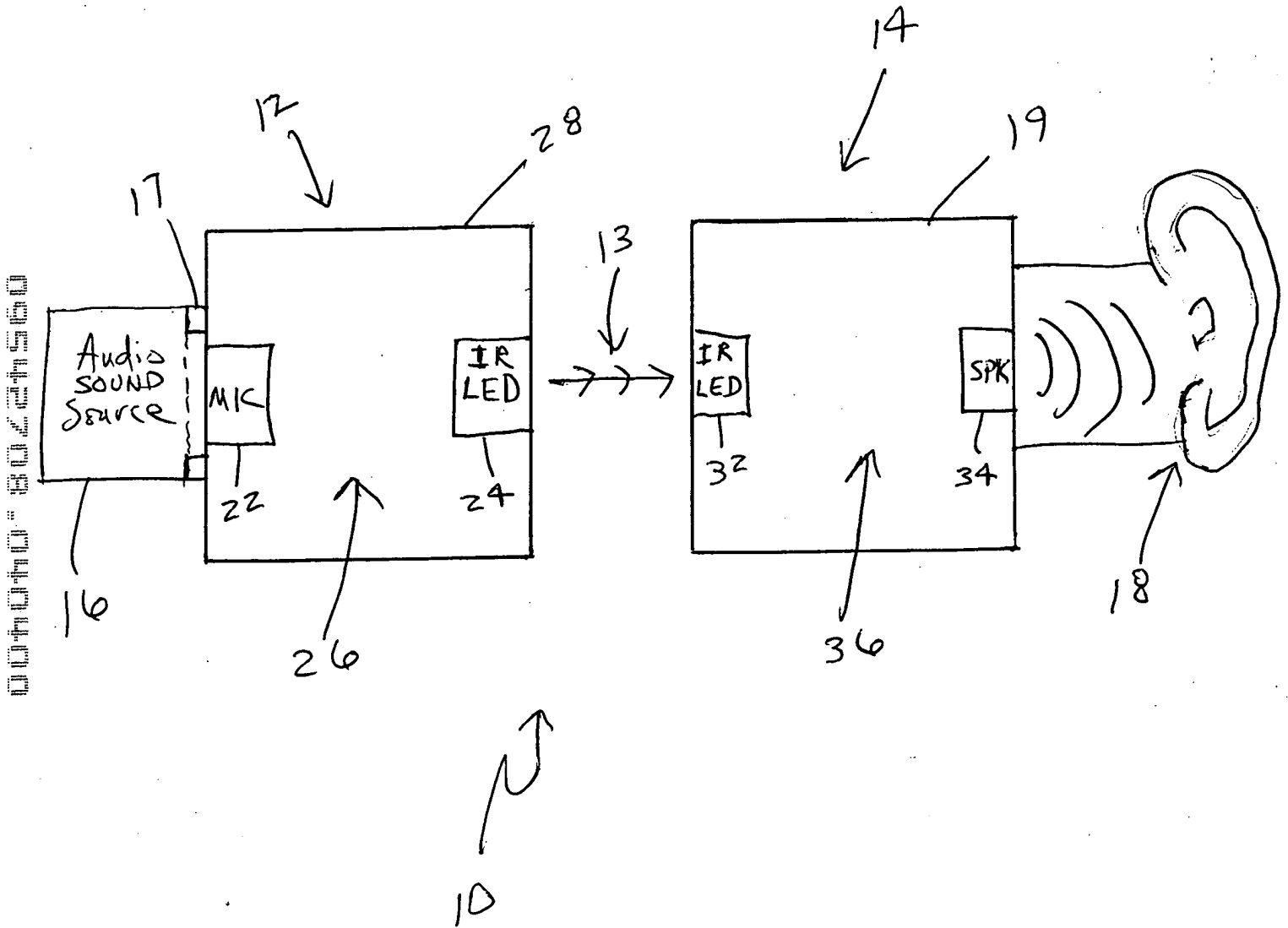


FIGURE 1



000000-80221560

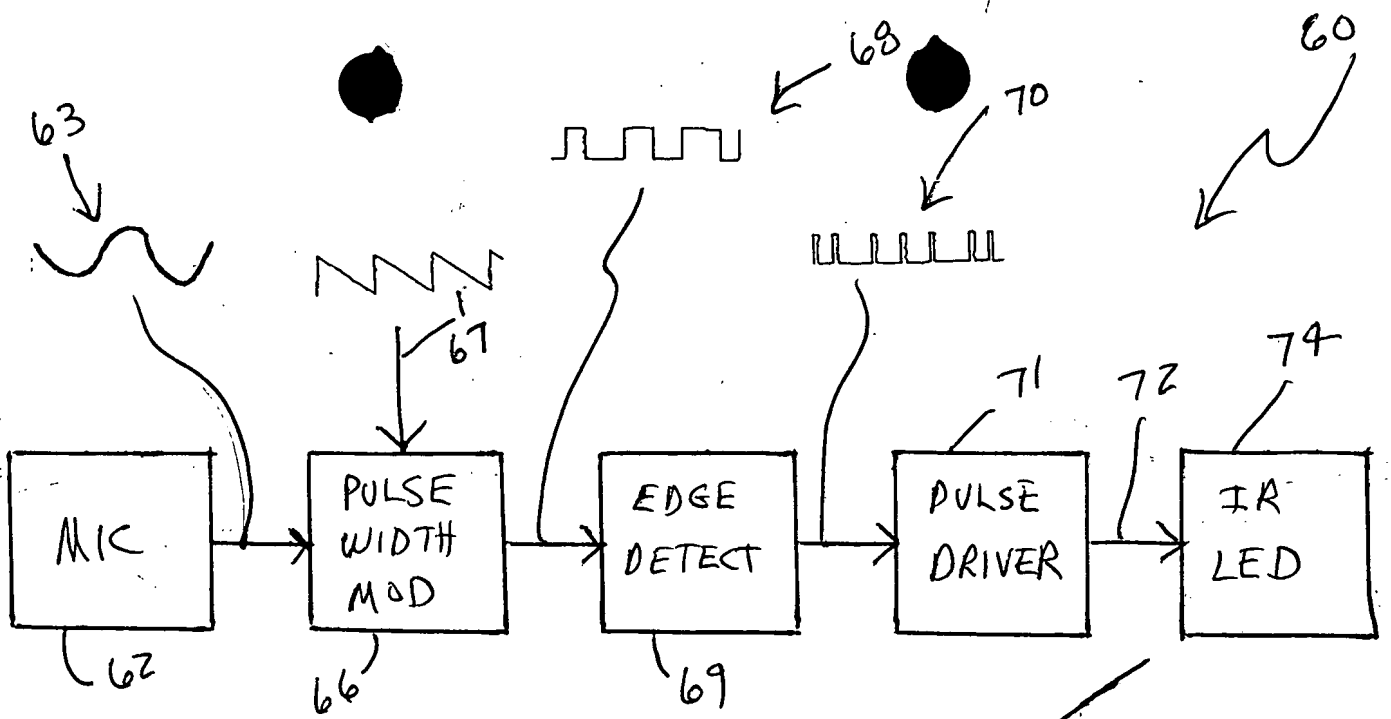


FIGURE 2

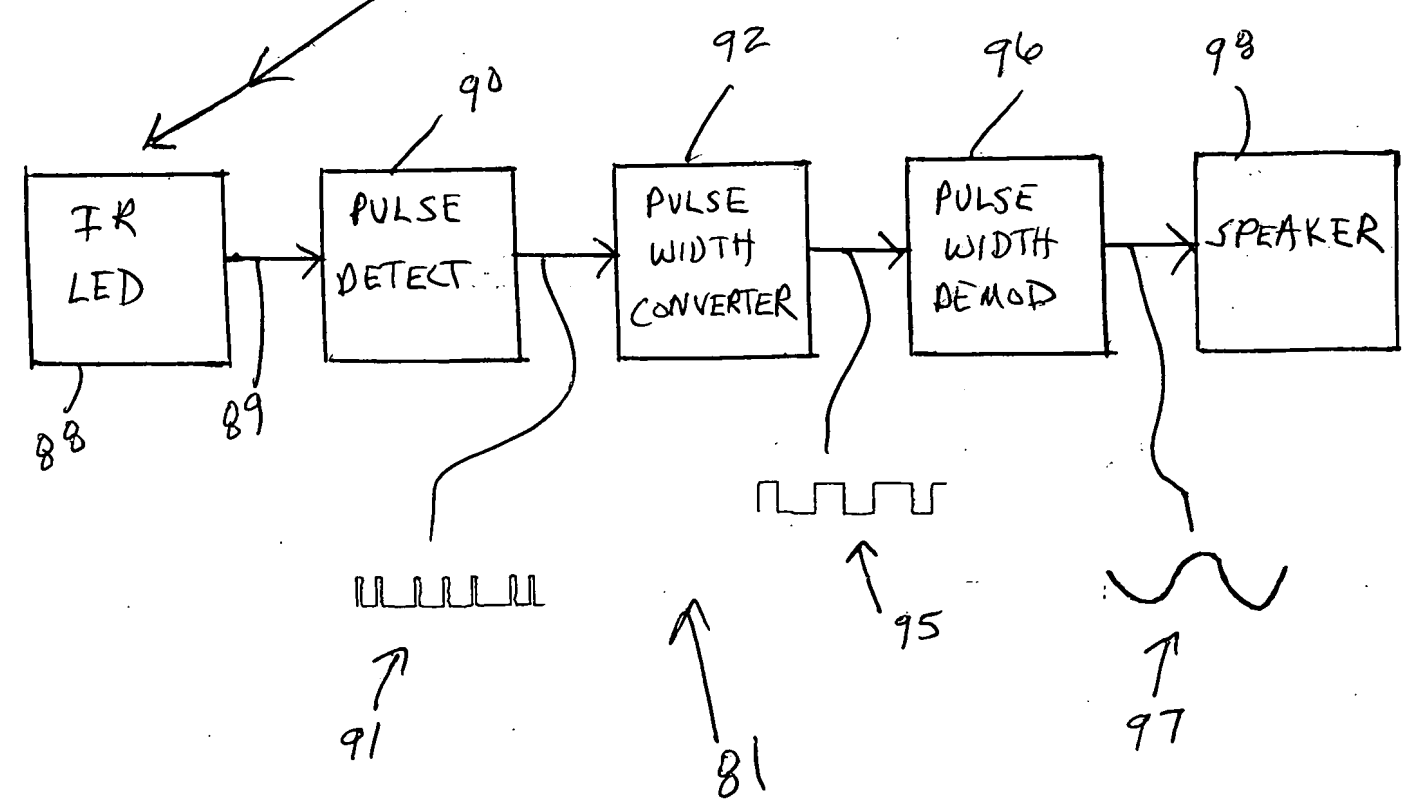




FIGURE 4

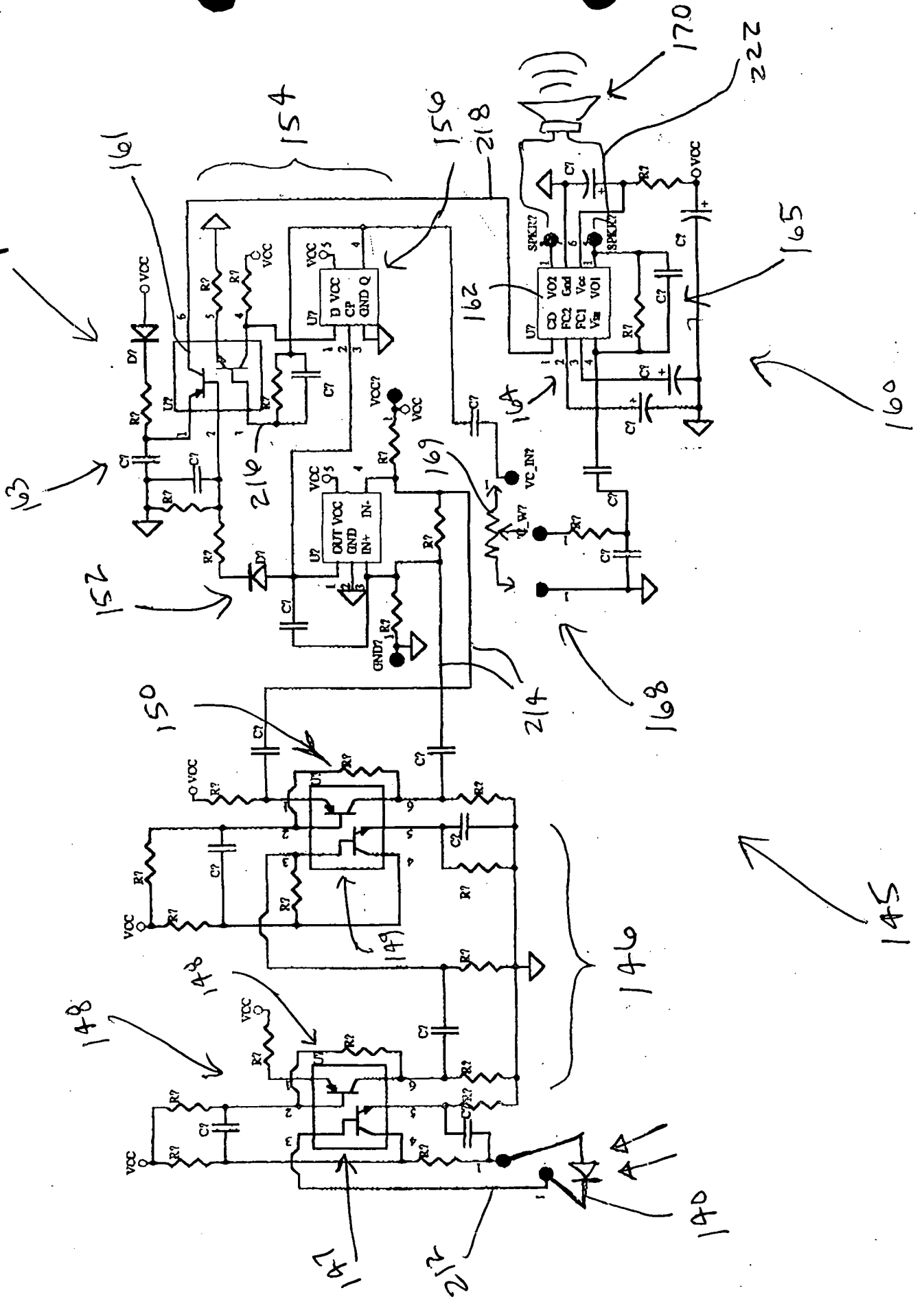


FIGURE 5

202 ↗

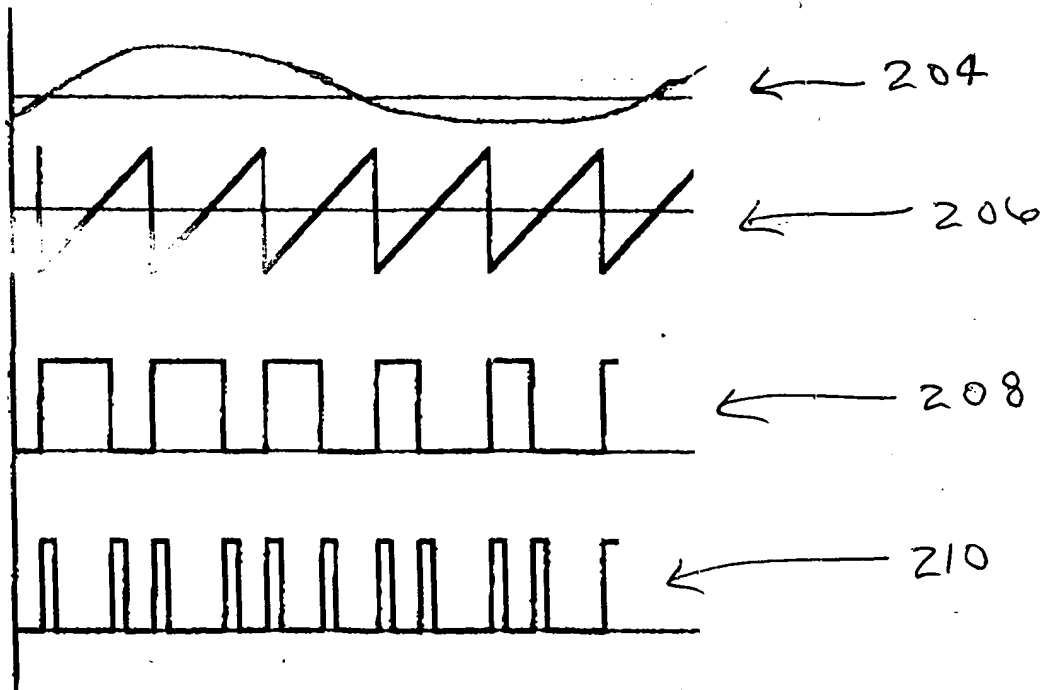
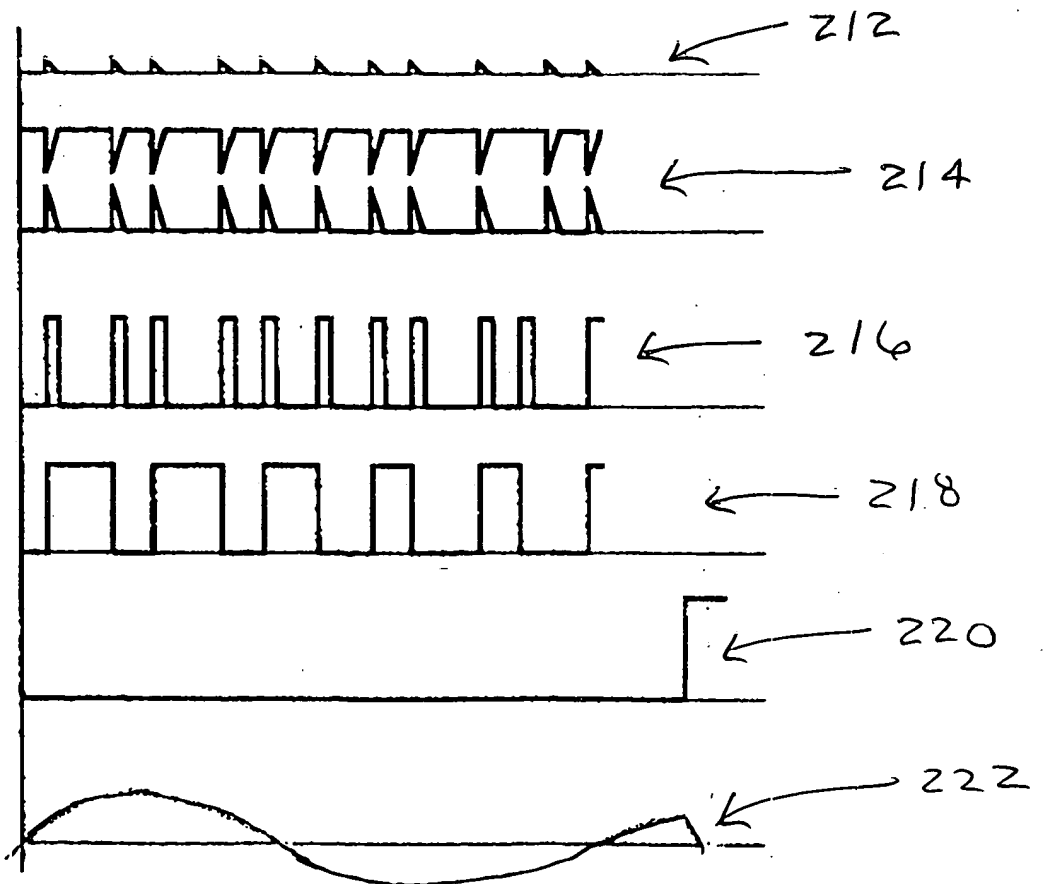


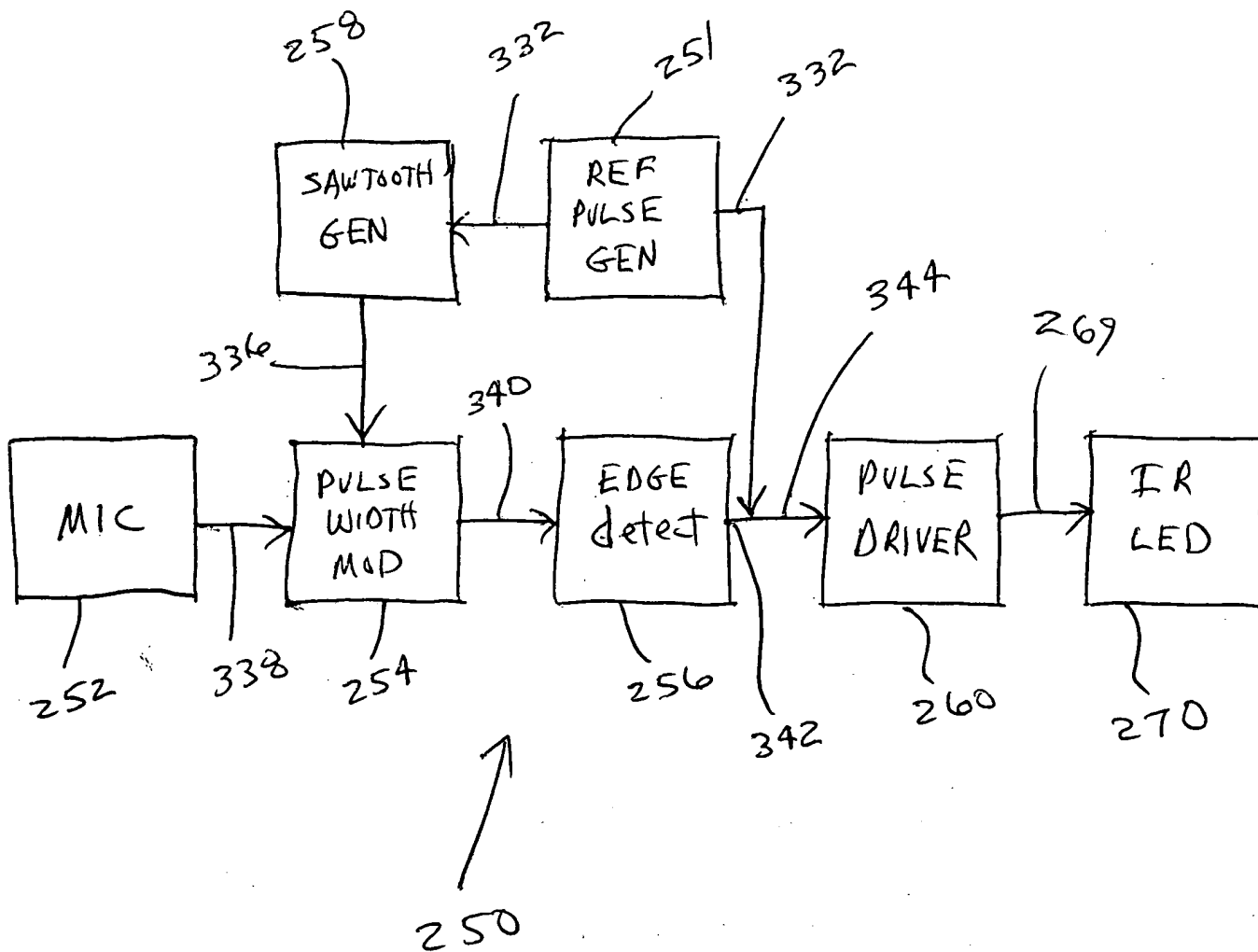
FIGURE 6

004040-80227560

216 ↗

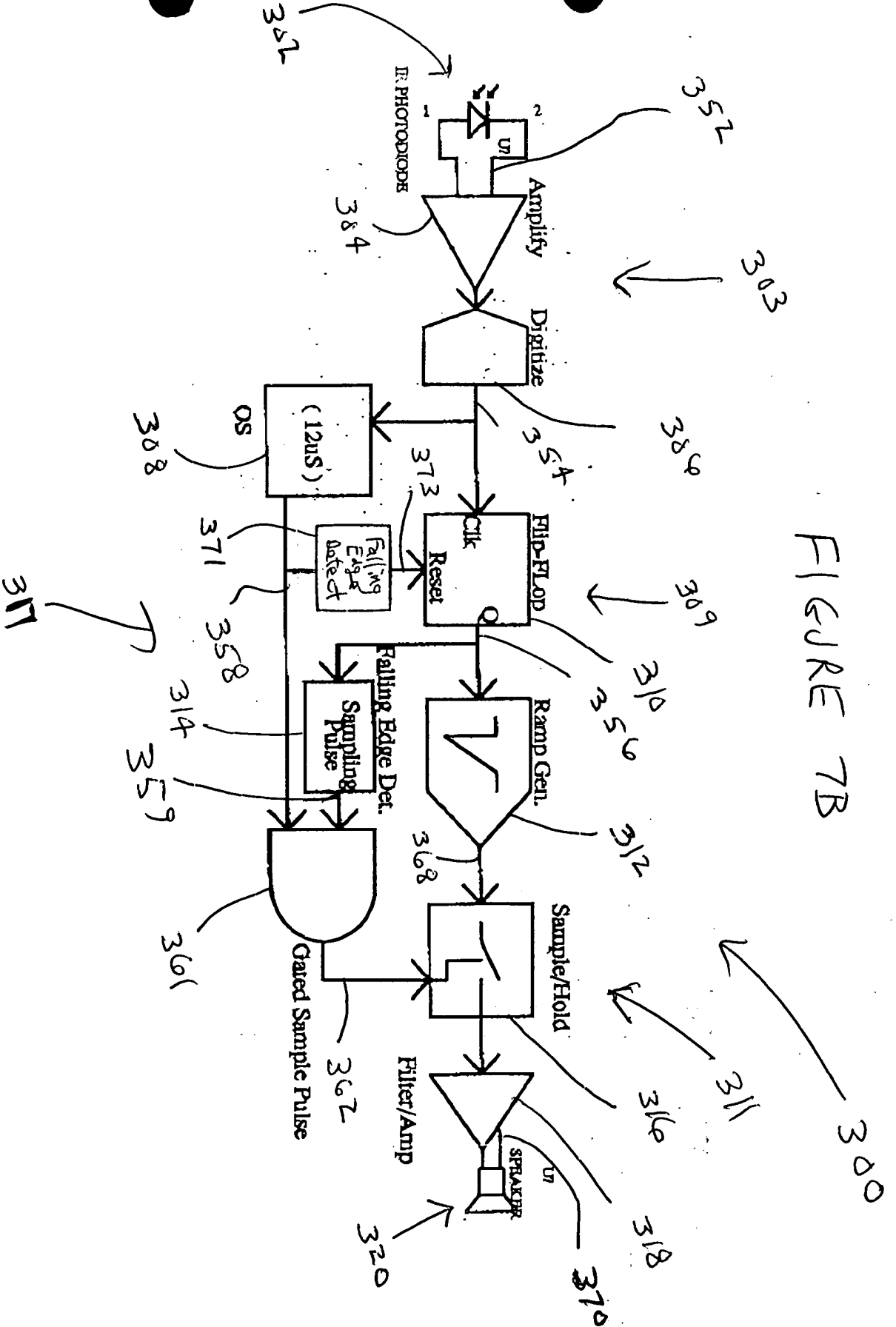


# FIGURE 7A



000000-8022550

FIGURE 7B



# FIGURE 8

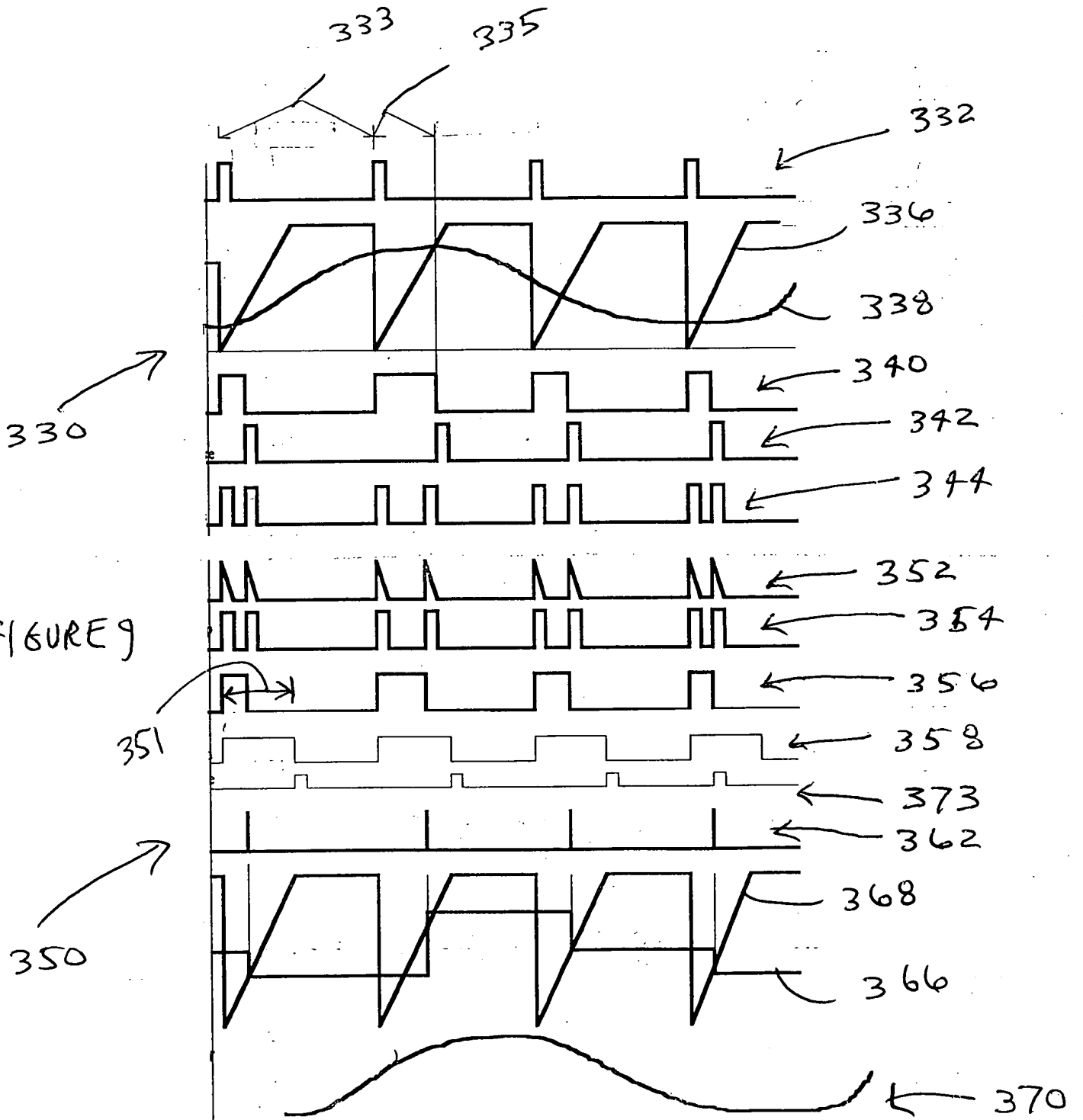
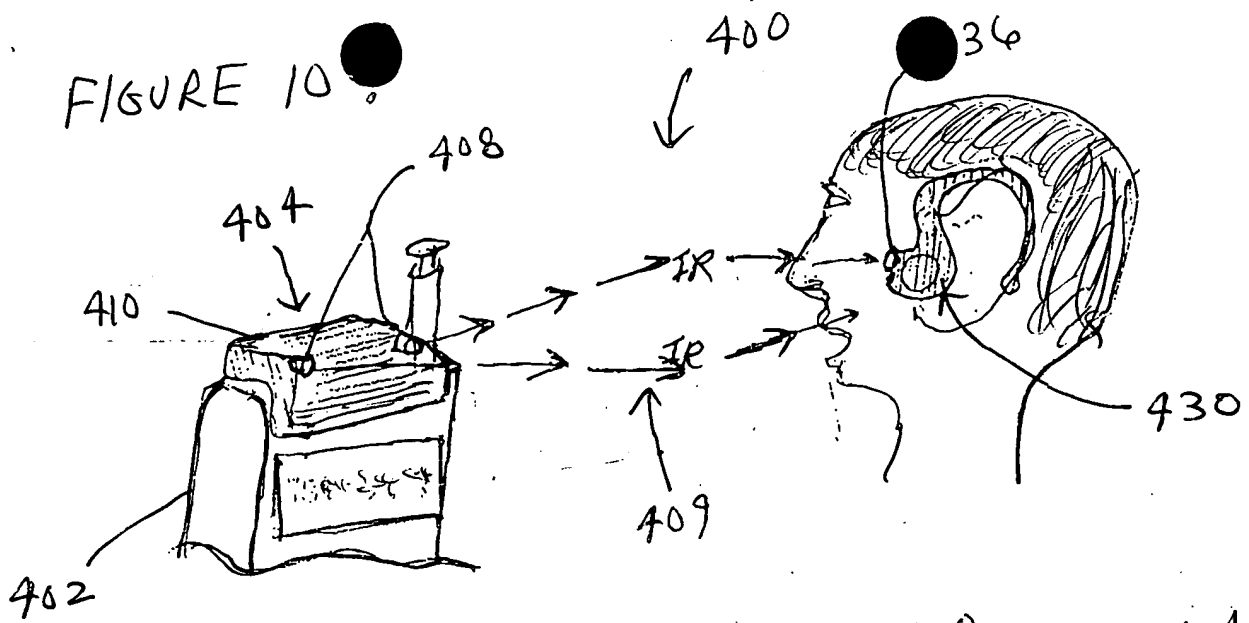


FIGURE 9



FIGURE 10



00000-3024560

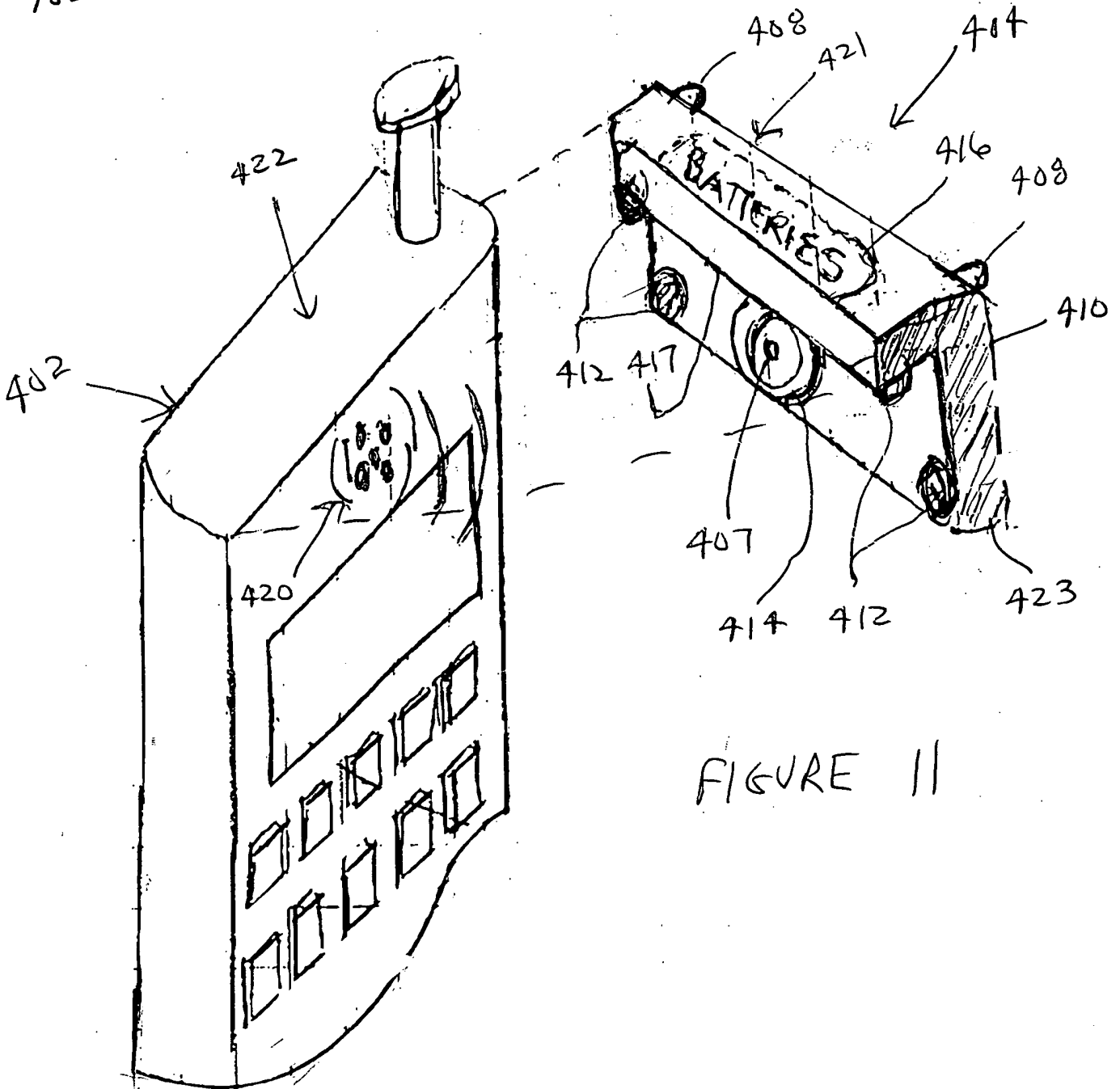


FIGURE 11

00440-8024560

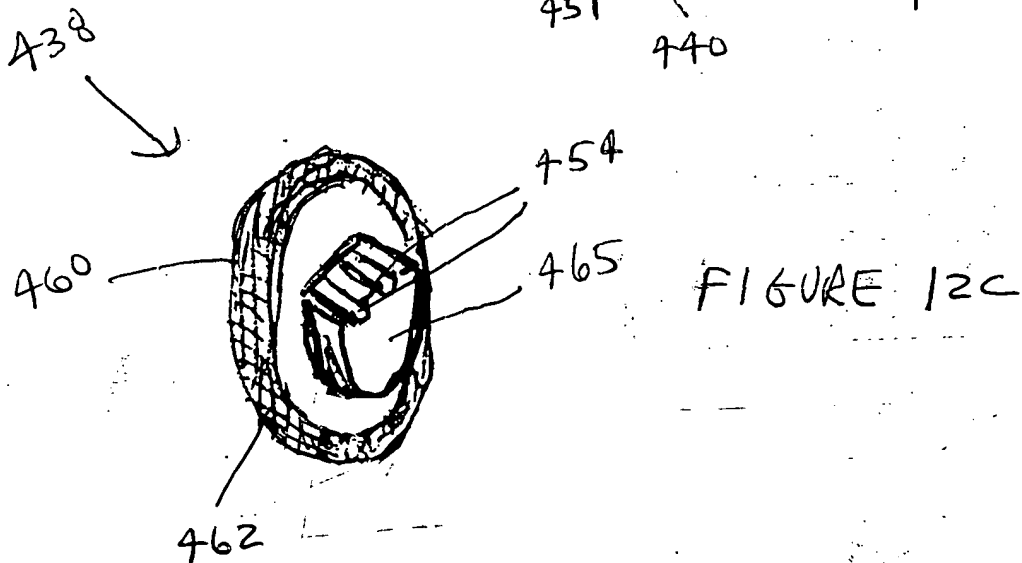
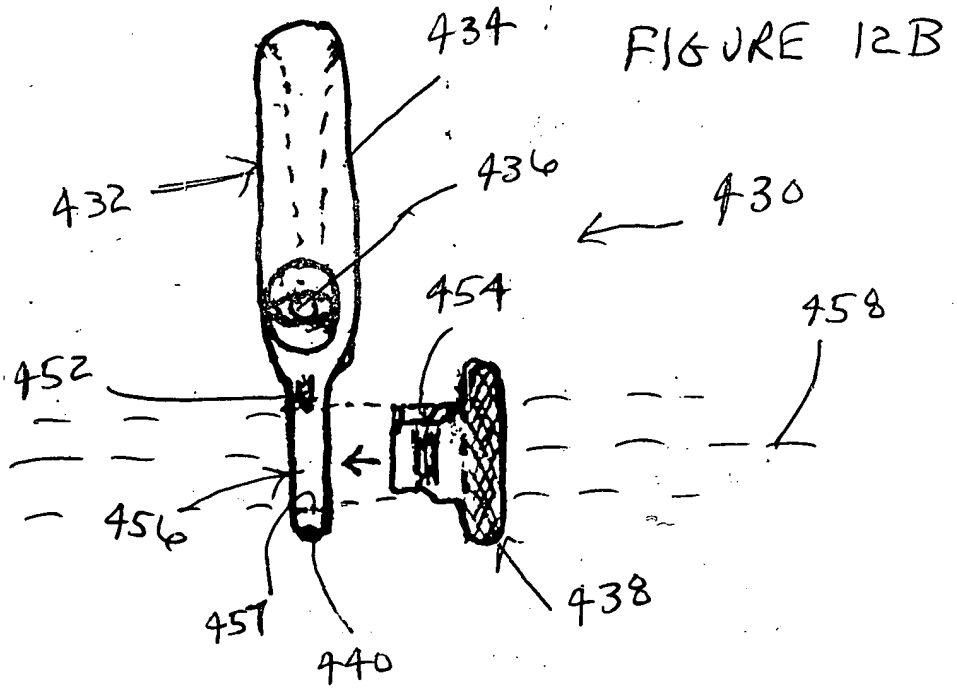
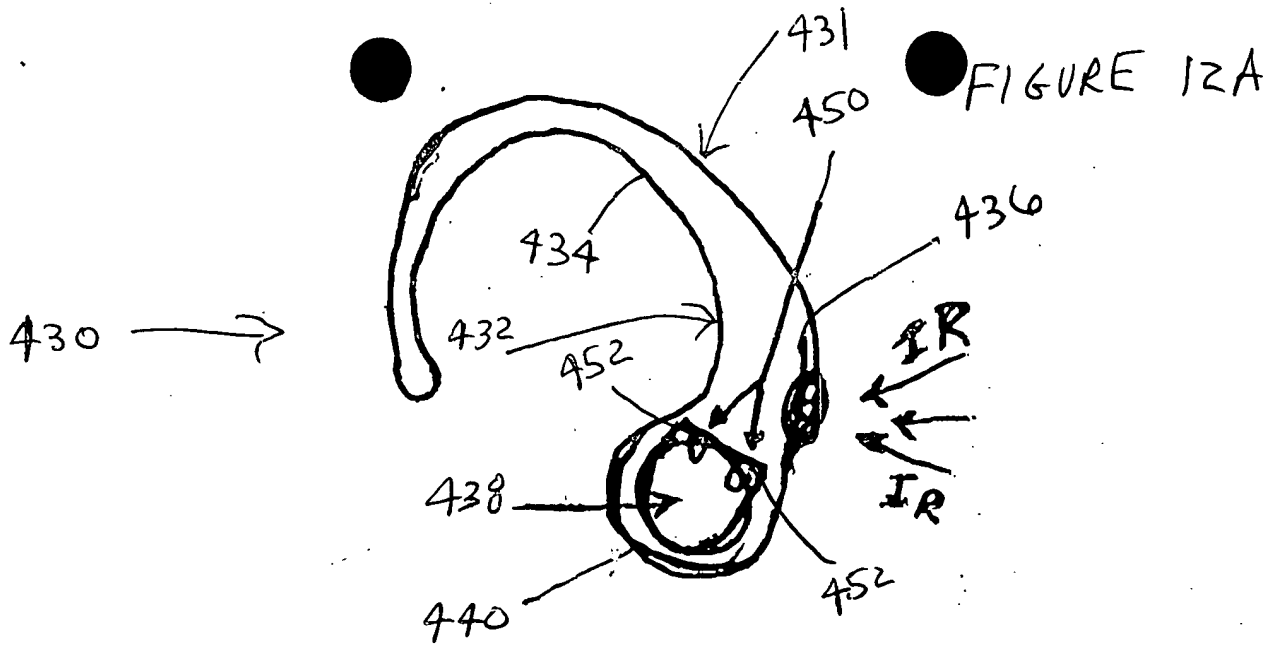
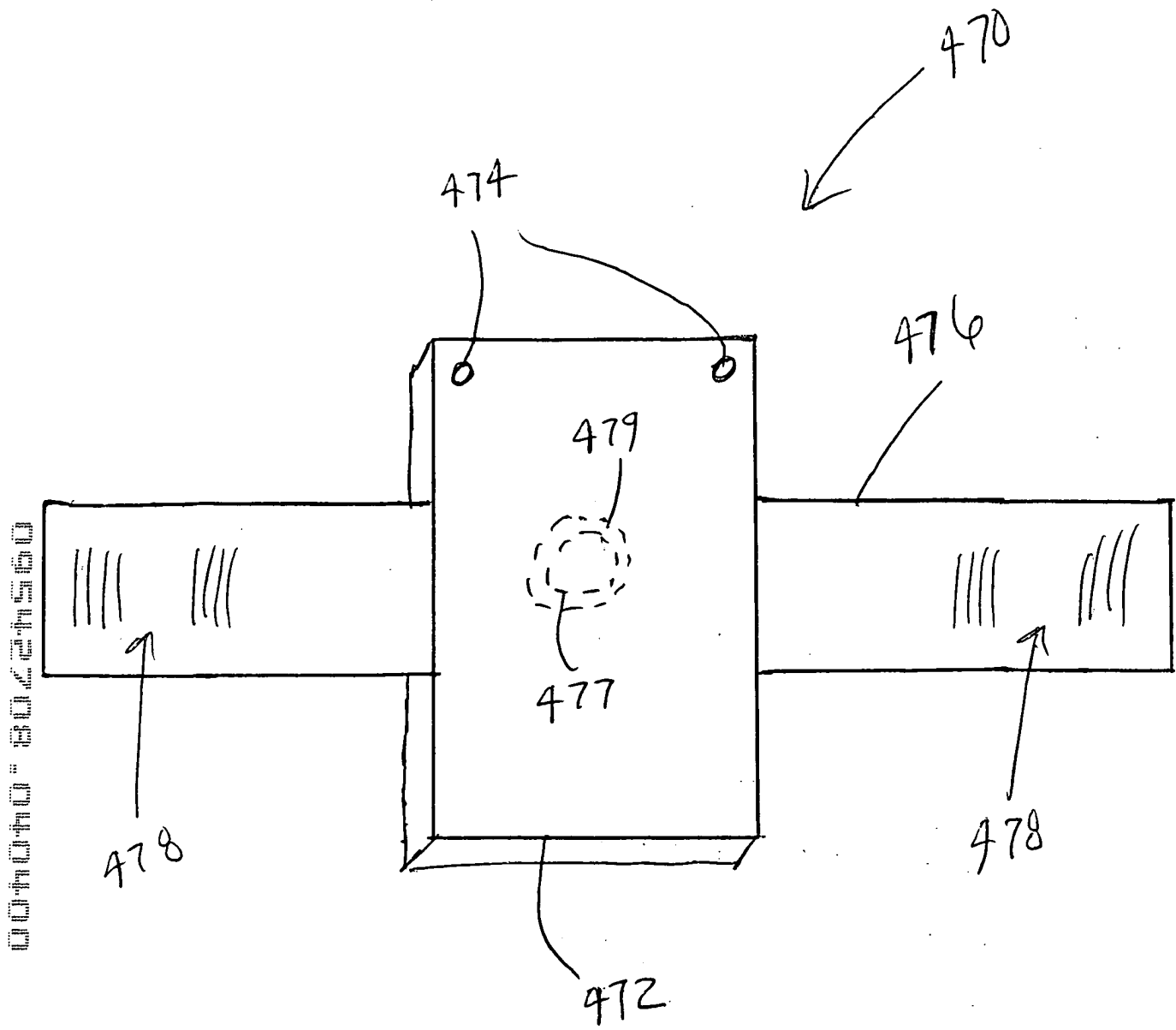


FIGURE 13



000000-8022560

FIGURE 14

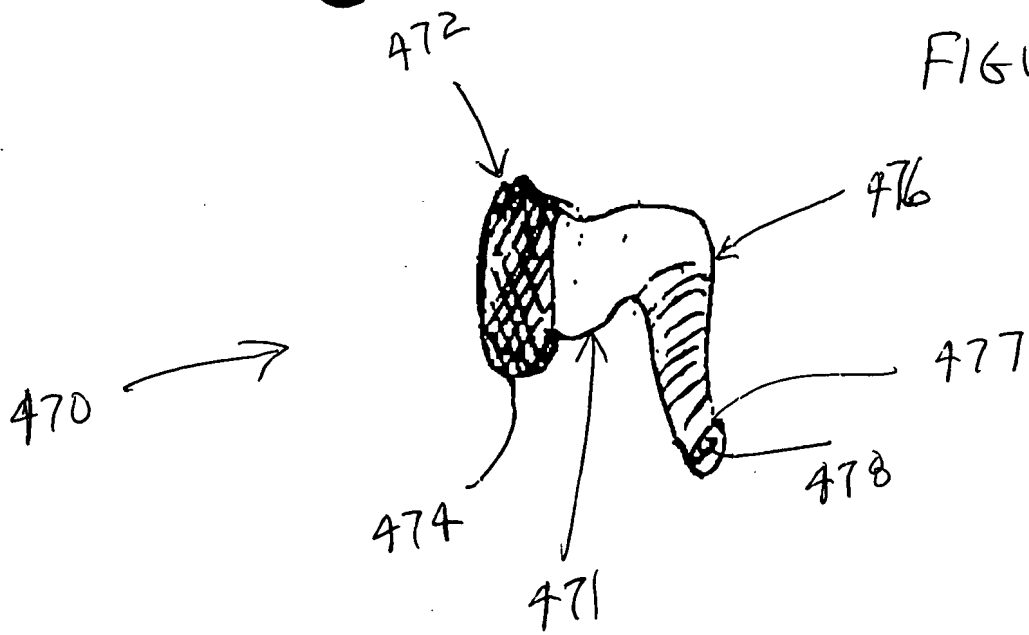


FIGURE 15

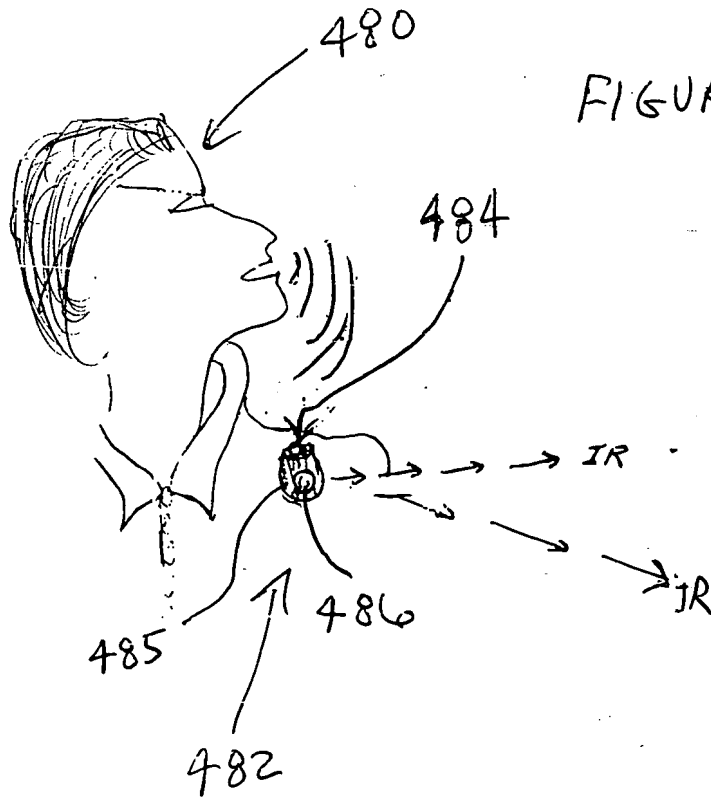


FIGURE 16A

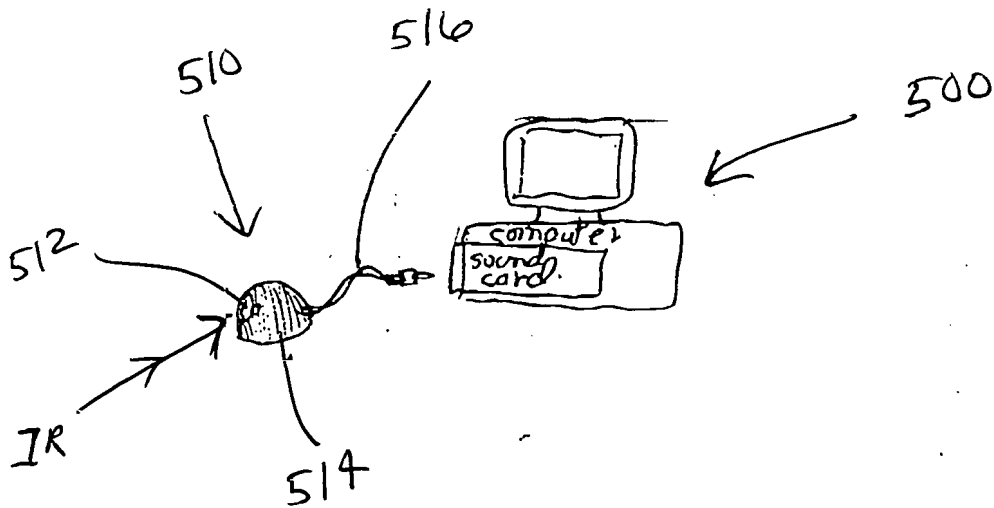
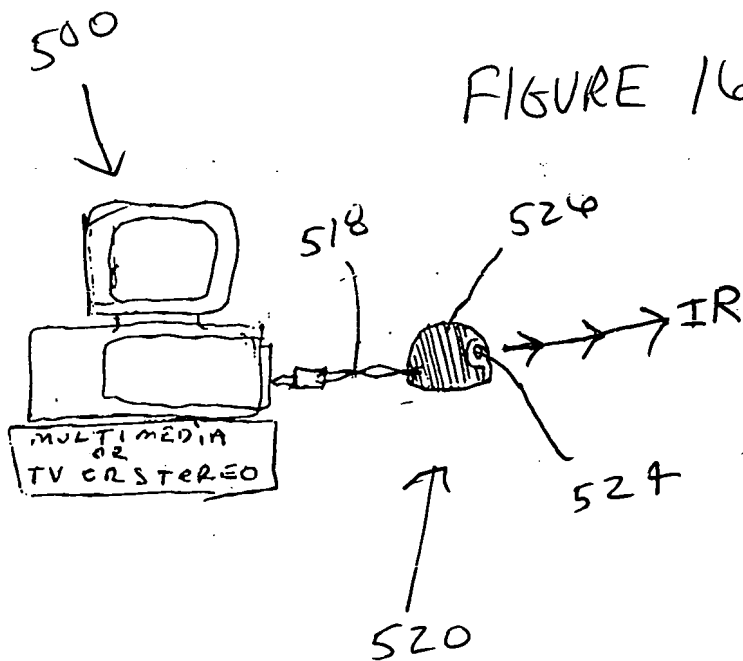


FIGURE 16B



004070-80227560